

- L LABORATORY
- P PROCESS
- S SOFTWARE
- A AUTOMATION

iCS EG

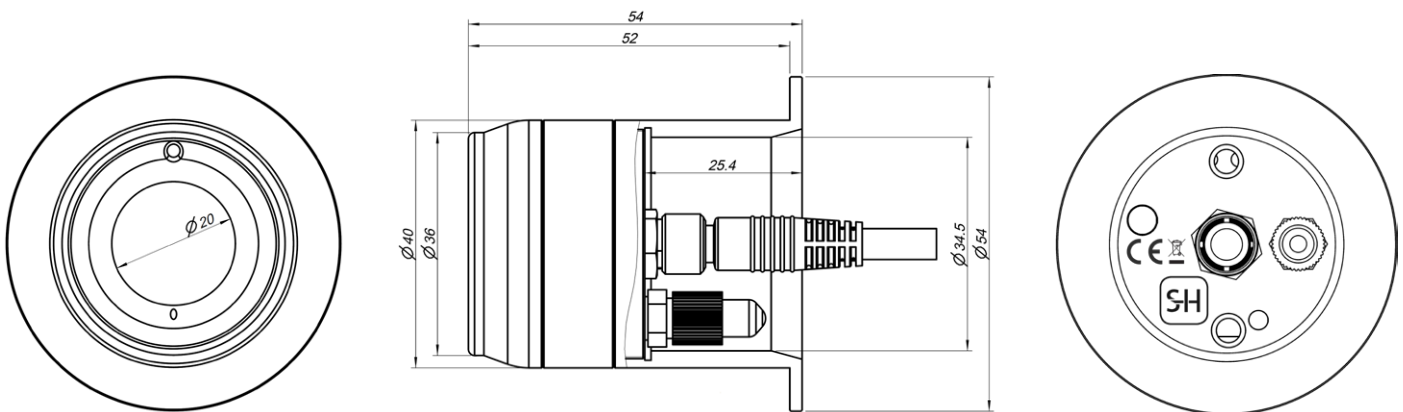
Ethylen Glycol Sensor



SPECIFICATIONS

IN-LINE CONCENTRATION SENSOR - ETHYLEN GLYCOL

Measuring scales	Ethylen Glycol (EG) Scale %
Measuring range	0 - 55 %
Resolution	0.1 %
Accuracy	± 0.3 % at 10-30° C and within EG range of 0-5%, 2 % at 0-50° C and within EG range of 0-55 %
Operating temperature	-10 °C to +50 °C
Process pressure	max. 4 bar
Interfaces	RS485 Modbus
Power supply	12-28 VDC
Current	max. 30 mA (at 24 V)
IP class	IP67
Process pressure (max.)	100 kPa (14,5 psi, 1 bar), max. 4 bar
Weight	220 g
Diameter	40 mm (DN40), handle diameter 54 mm
Number of units	Purchase quantity is required



**SCHMIDT
HAENSCH**
innovators by tradition since 1864

SCHMIDT + HAENSCH GmbH & Co.
Waldstraße 80-81, 13403 Berlin, Germany
Tel: +49 (0 30) 417072-0, Fax: +49 (0 30) 417072-99
sales@schmidt-haensch.de, www.schmidt-haensch.com



ISO 9001:2015