

- L LABORATORY
- P PROCESS
- S SOFTWARE
- A AUTOMATION

Customizable Concentration Sensor

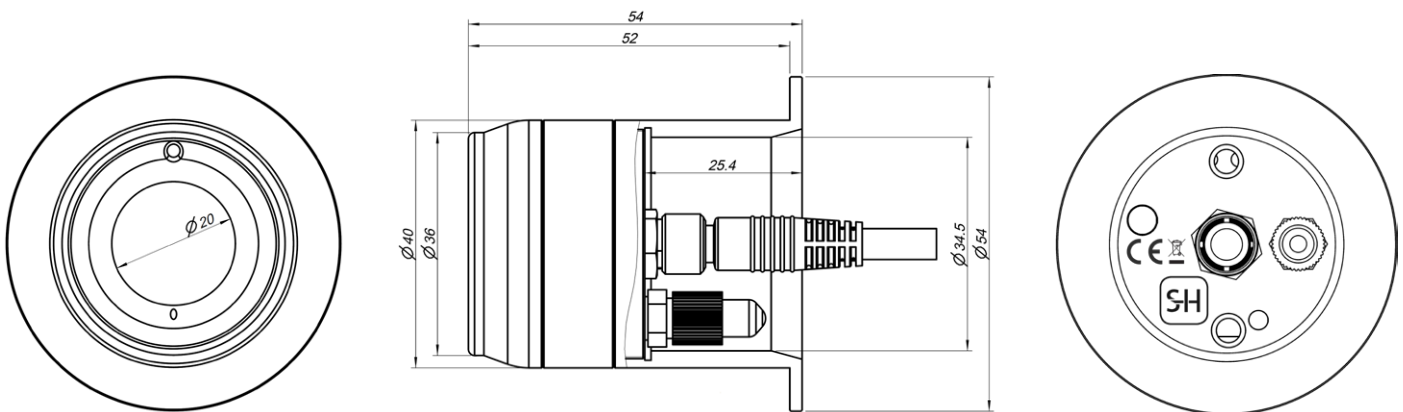
by SCHMIDT + HAENSCH



SPECIFICATIONS

CONCENTRATION SENSOR

| | |
|---------------------------|---|
| Measuring scales | Measuring scales upon request - specific to an individual application |
| Process pressure | max. 4 bar |
| Operating temperature | - 10 °C to + 50 °C |
| Environmental temperature | -40 °C to +65 °C |
| Storage temperature | -15 °C to 75 °C (recommended 5 °C - 35 °C, dry) |
| Wetted parts | Sapphire, stainless steel |
| Interfaces | RS485 (4 pin M8 plug) |
| Power supply | 12-28 VDC |
| Current | max. 30 mA (at 24 V) |
| IP class | IP67 |
| Process pressure (max.) | 100 kPa (14,5 psi, 1 bar), max. 4 bar |
| Weight | 220 g |
| Diameter | 40 mm (DN40), handle diameter 54 mm |
| Engineering | Engineering costs depend on application and installation - engineering costs beared by client |
| Number of units | purchase quantity is required |



**SCHMIDT
HAENSCH**
innovators by tradition since 1864

SCHMIDT + HAENSCH GmbH & Co.
Waldstraße 80-81, 13403 Berlin, Germany
Tel: +49 (0 30) 417072-0, Fax: +49 (0 30) 417072-99
sales@schmidt-haensch.de, www.schmidt-haensch.com



ISO 9001:2015